



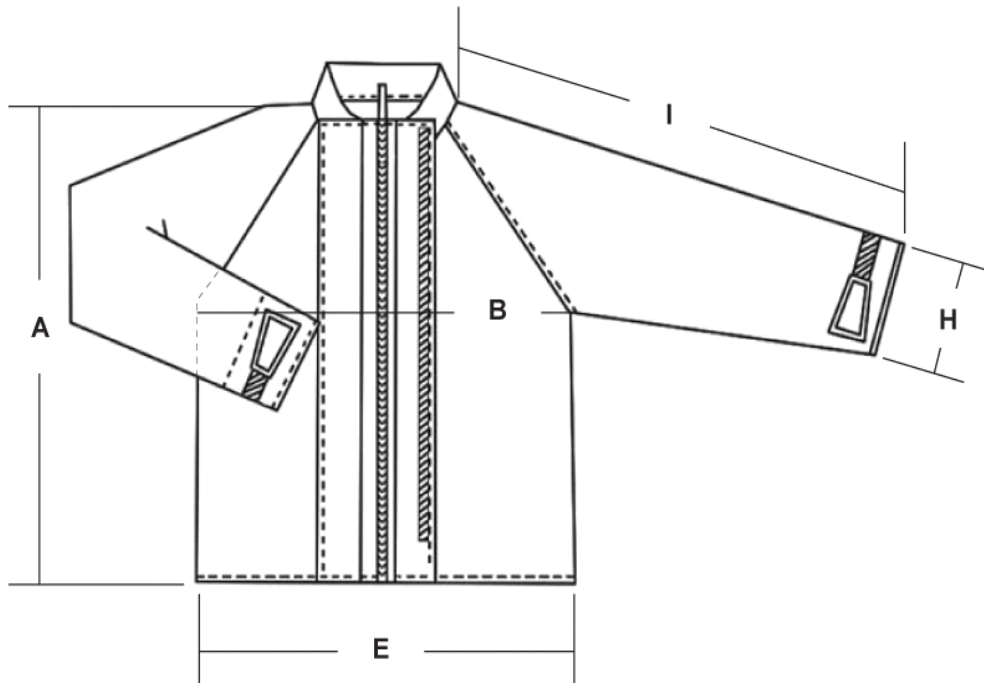
C-T INDUSTRIAL PRODUCTS

A DIVISION OF CORROSION TECHNOLOGIES, INC

STYLE: 707 A

SIZES: XXS – 3XL

DESCRIPTION: JACKET MADE WITH RED TEXTURIZED POLYESTER GORE® CHEMICAL SPLASH FABRIC, FULL TWO-WAY RUGGED ZIPPER, 3" STORM FLY FLAP OVER ZIPPER WITH VELCRO CLOSURE. VELCRO CLOSURE ON MANDARIN STYLE COLLAR, ALL SEAMS SEALED WITH GORE-SEAM® TAPE. BADGE HOLDER ON BREAST, BAR CODE LABEL ON BREAST



		SIZE							
		XXS	XS	S	M	L	XL	2XL	3XL
A	Center Back Length	29"	29"	29"	29"	29"	29"	29"	29"
B	Chest Circ./Width	39"	43"	47"	51"	55"	59"	63"	67"
E	Waist Circ./Width	39"	43"	47"	51"	55"	59"	63"	67"
H	Sleeve Opening	11"	11.5"	12"	12.5"	13"	13.5"	14"	14.5"
I	Sleeve Overarm Length	31.5"	32"	32.5"	33"	33.5"	34"	34.5"	35"